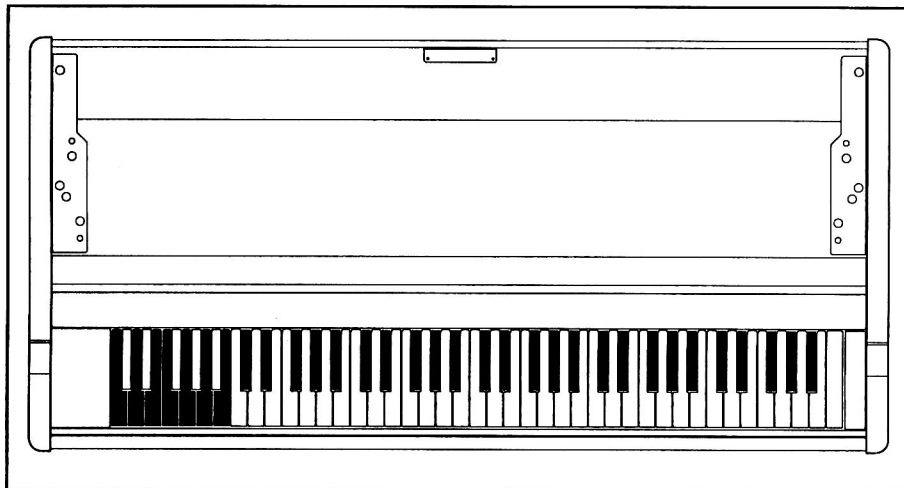


Model: XLK-5

Congratulations on your purchase of a new Hammond instrument.

The XLK-5 is intended to be used as a Lower Keyboard for the model XK-5 Drawbar Keyboard.

Please take a moment to review this manual thoroughly in order to familiarize yourself with the features of this keyboard as well as the installation procedures. Keep this manual for future reference.



Owner's Manual

IMPORTANT SAFETY INSTRUCTIONS

- ◆ Before using this unit, please read the following Safety instructions, and adhere to them.
- ◆ Keep this manual close by for easy reference.
- ◆ In this manual, the degrees of danger are classified and explained as follows:



WARNING

This sign shows there is a risk of death or severe injury if this unit is not properly used as instructed.



- ◆ Do not open (or modify in any way) the unit.



- ◆ Do not attempt to repair the unit, or replace parts in it. Refer all servicing to your retailer, the nearest Hammond Dealer, or an authorized Hammond distributor, as listed on the "Service" page.



- ◆ Never use or store the unit in places that are:
 - ◆ Subject to temperature extremes (e.g., direct sunlight in an enclosed vehicle, near a heating duct, on top of heat generating equipment)
 - ◆ Damp (e.g., baths, washrooms, on wet floors)
 - ◆ Humid
 - ◆ Exposed to rain
 - ◆ Dusty
 - ◆ Subject to high levels of vibration



- ◆ Use only with the cart, stand, tripod, bracket, or table specified by the manufacturer, or sold with the apparatus. When cart is used: use caution when moving the cart/apparatus combination to avoid injury from tip-over.



- ◆ Do not allow any objects (e.g., flammable material, coins, pins); or liquids of any kind (water, soft drinks, etc.) to penetrate the unit.



- ◆ Immediately turn the power off, remove the AC cable from the outlet, and request servicing by your retailer, the nearest Hammond Dealer, or an authorized Hammond distributor, as listed on the "Service" page when:
 - ◆ The AC adaptor, the power-supply cord, or the plug has been damaged; or
 - ◆ If smoke or unusual odor occurs
 - ◆ Objects have fallen into, or liquid has been spilled onto the unit; or
 - ◆ The unit has been exposed to rain (or otherwise has become wet); or
 - ◆ The unit does not appear to operate normally or exhibits a marked change in performance.



- ◆ In households with small children, an adult should provide supervision until the child is capable of following all the rules essential for the safe operation of the unit.



- ◆ Protect the unit from strong impact. (Do not drop it!)



CAUTION

This sign shows there is a risk of injury or material damage if this unit is not properly used as instructed.

*Material damage here means a damage to the room, furniture or animals or pets.



- ◆ Never climb on top of, nor place heavy objects on the unit.



- ◆ Turn off all devices before hook up. Follow all instructions and use only designated cables.



- ◆ Before moving the unit, disconnect the AC adaptor and all cords coming from external devices.



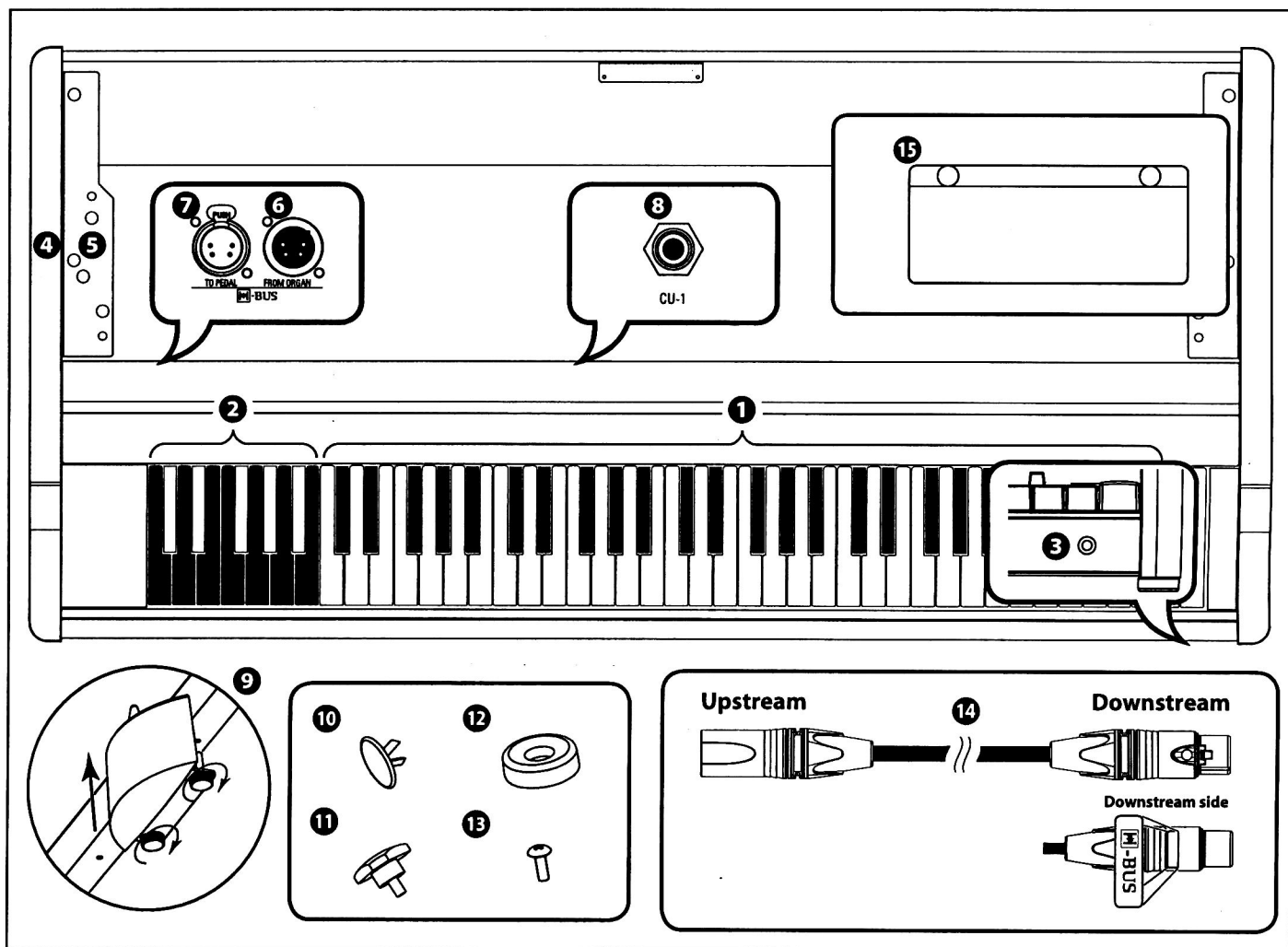
- ◆ Make sure not to pinch your fingers when you assemble or disassemble this unit.



- ◆ Be sure to grasp the plug when unplugging it from the unit. Pulling on the cord can damage it, and create the danger of fire and electrical shock.



In case in the future your instrument gets too old to play/use or malfunctions beyond repair, please observe the instructions of this mark, or, if any question, be sure to contact your dealer or your nearest town or municipal office for its proper disposal.



1 LOWER MANUAL

Square-front (“waterfall”-style) virtual multi-contact keys, 61 notes.

2 PRESET KEYS

Selects the Patch or Favorite of the Lower part. 9 Preset Keys plus Cancel, 2 Preset Keys for adjusting Drawbar settings.

3 POWER LAMP

Indicates when the power is “ON.”

4 SIDE PANELS

Use these decorative side panels to help secure the XK-5 Drawbar Keyboard on either side.

5 SIDE BRACKET

Place the XK-5 Keyboard on top of these brackets.

6 H-BUS FROM ORGAN JACK

Use a proprietary Hammond **H-BUS** cable to connect the XK-5 Keyboard to the XLK-5. The cable will supply both DC power and data from/to the XK-5.

7 H-BUS TO PEDAL JACK

Use a proprietary Hammond **H-BUS** cable to connect the XLK-5 an EXP-250 Expression Pedal or an XPK-250W Pedal Clavier.

8 CU-1 JACK

Use to connect a CU-1 Leslie Mode Switch.

9 CU-1 MOUNTING HOLE

Three (3) mounting holes are provided to allow the CU-1 to be mounted in two different locations.

10 HOLE CAP (2pcs)

Use these to plug the screw holes on the rear of the XK-5 Keyboard (see page 5).

11 KNOB BOLT (4pcs)

M6 x 15mm.

12 RUBBER FOOT (4pcs)

Use these if you wish to mount the XLK-5 to an ST-XLK3 Keyboard Stand.

13 TAPPING SCREW (4pcs)

ø4 x 12mm. Use these to attach the rubber feet described above to mount the XLK-5 to an ST-XLK3 Keyboard Stand.

14 H-BUS CABLE

25cm. Use with sticking **H-BUS** label.

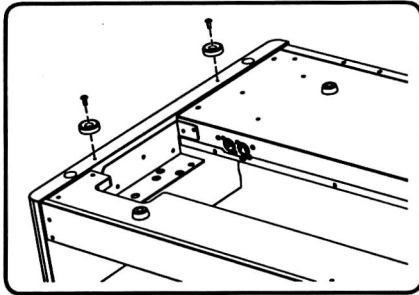
15 PROTECTIVE SHEET (2pcs)

Use these to protect the inside of the panels from the flaw during attaching the XK-5.

ASSEMBLY PROCEDURE



- ◆ Do this assembly carefully to avoid injury to hands or feet.
- ◆ Disconnect the power cable before this procedure.

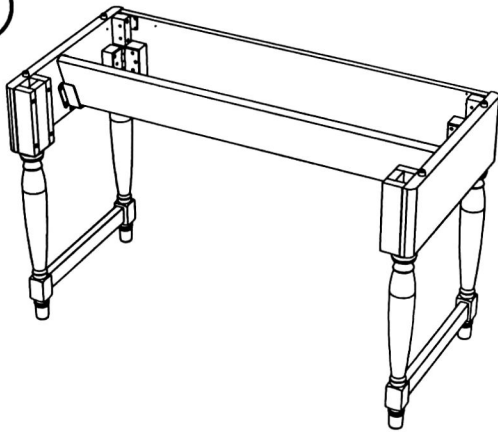


Using with ST-XLK3

DO THIS FIRST:

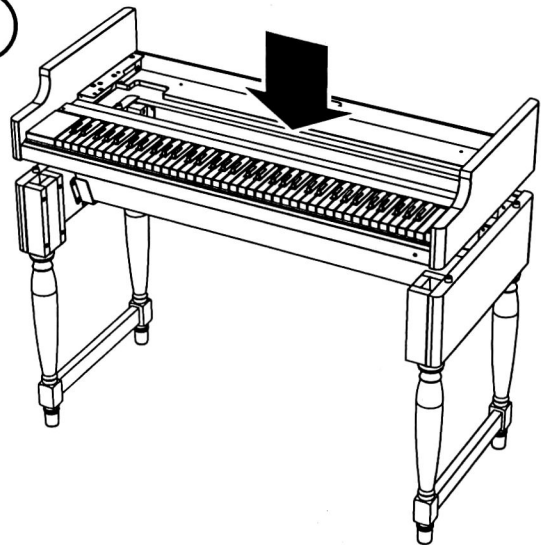
If you are using the XLK-5 Keyboard with the ST-XLK3 stand, attach the rubber feet using the tapping screws (parts ② and ③ on page 3) as shown on the left. Use a #2 Phillips screwdriver.

1



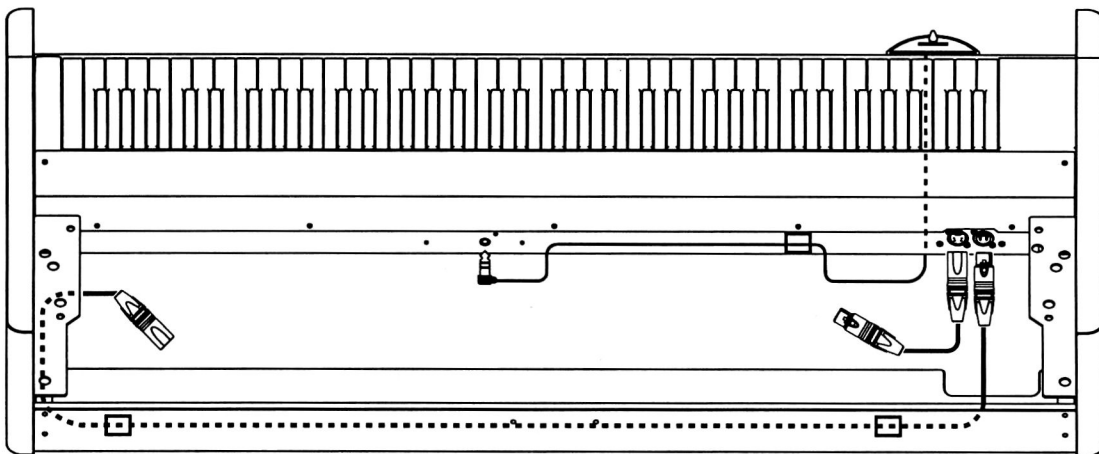
Assemble the keyboard stand (ex. ST-XLK5W).


2



Carefully place the XLK-5 on the stand as shown.

3



Connect the two -BUS cables and the CU-1 cable as shown above. Use the clamps inside the panels to secure the cables.

4

Carefully place the XK-5 Keyboard on a towel or other soft surface to avoid damage, then remove the 6 screws (for rear, "B" 2 - M4 x 16, for bottom, "A" 4 - $\phi 4 \times 10$) shown on the left using a #2 Phillips screwdriver.

Insert the hole caps into the two holes on the rear panel.

5

Remove the side panels of the XK-5 Keyboard as shown above.

6

Fold with stickers are bottom side.

Attach the protective sheets inside the side panels of the XLK-5.

7

Carefully place the XK-5 on the XLK-5 as shown above. Remove the protective sheets.

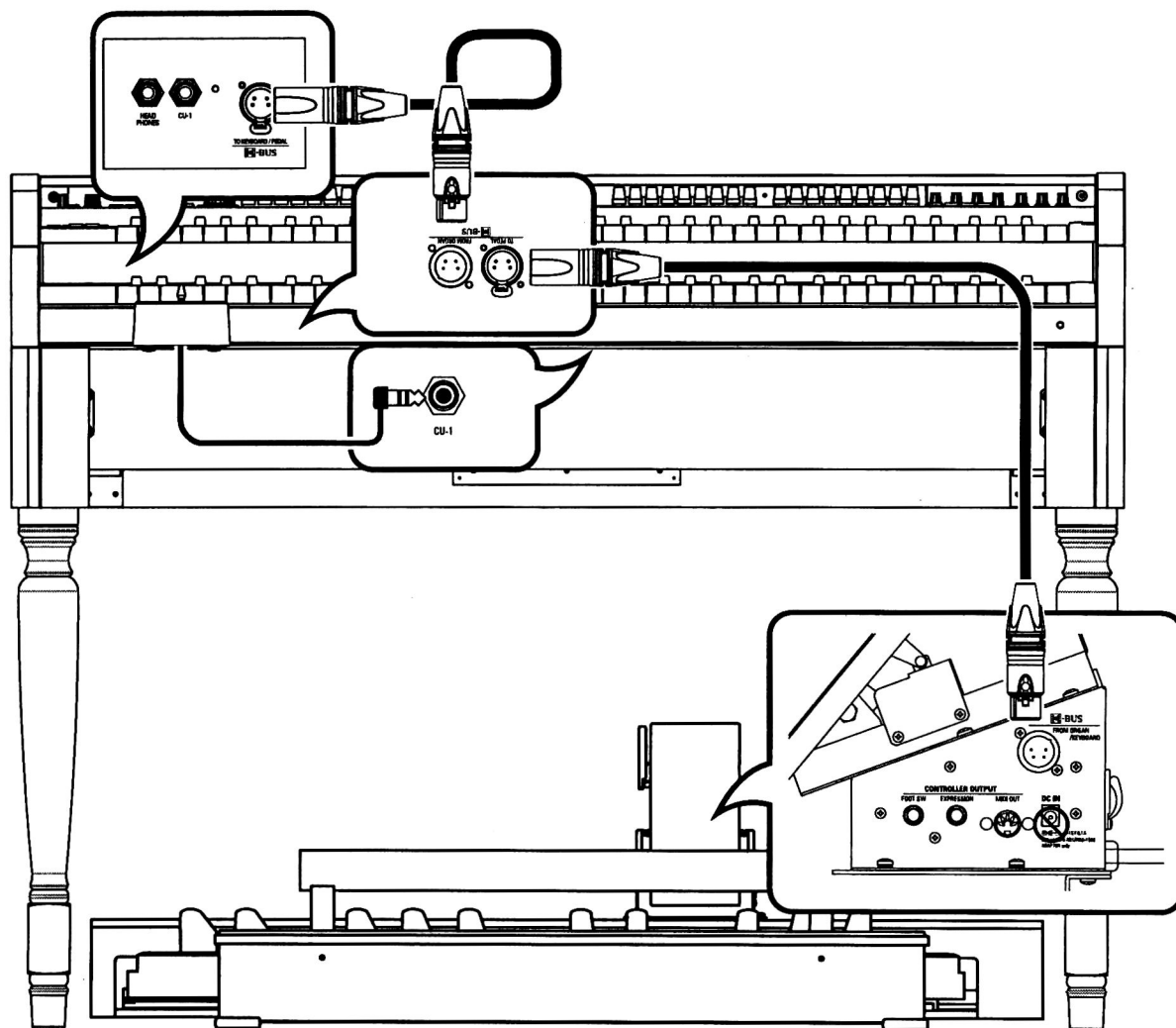
8

Fix the XK-5 and XLK-5 by using attached 4 knob bolts.

Use the four Knob Bolts (part ① on page 3) to secure both the XK-5 and the XLK-5.

HOOK UP

HOOK UP WITH XK-5, XLK-5, XPK-250W, CU-1, ST-XLK5W



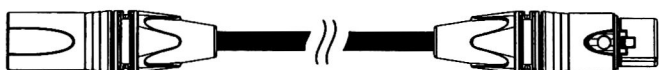
- ◆ Connect the **H-BUS** cables as shown in the diagram above.
- ◆ **IMPORTANT:** The **H-BUS** interface provides for DC power as well as system communication, therefore it is not necessary to utilize the “DC IN” jack on the Expression Pedal when connecting to the XK-5.
- ◆ In addition, no special configuration is required. Each device is configured automatically.

NOTE: The above diagram shows only the connections for the Pedalboard and Expression Pedal. For information on other connections such as AC power, audio, Leslie, etc. Please consult the XK-5 Owner's Manual.

H-BUS

Upstream

Downstream



This keyboard uses Hammond's new **H-BUS** interface which will supply both DC power and data transfer using a single connection.

IMPORTANT: Use the **H-BUS** cable provided with this instrument for all **H-BUS** connections. **DO NOT** use a 4-pin XLR or other type of connector. Doing so may result in damage to the instrument.

SPECIFICATIONS

KEYBOARD

Musical keys 61 notes and Preset keys 12 notes, square-front ("waterfall"-style), virtual multi-contact

CONNECTORS

Ⓜ-BUS (FROM ORGAN, TO PEDAL)

DIMENSIONS

Without rubber feet for ST-XLK3

119(W) × 57(D) × 19(H) cm
46.8"(W) × 22.5"(D) × 7.5"(H)

With rubber feet for ST-XLK3

119(W) × 57(D) × 20(H) cm
46.8"(W) × 22.5"(D) × 7.7"(H)

WEIGHT

13.4 kg
29.5 lbs

POWER SUPPLY

DC 5V 0.1A(Ⓜ-BUS)

ACCESSORIES

Ⓜ-BUS cable (25cm)
Hole Cap x 2
Knob Bolt x 4
Rubber Foot x 4
Tapping Screw x 4
Protective Sheet x 2

SERVICE

Hammond maintains a policy of continuously improving and upgrading its instruments and therefore reserves the right to change specifications without notice. Although every attempt has been made to insure the accuracy of the descriptive contents of this Manual, total accuracy cannot be guaranteed.

Should the owner require further assistance, inquiries should first be made to your Authorized Hammond Dealer. If you still need further assistance, contact Hammond at the following addresses:

In the United States Contact:

HAMMOND SUZUKI USA, Inc.
743 Annoreno Dr.
Addison, IL 60101
UNITED STATES

E-mail: info@hammondorganco.com
Web site: www.hammondorganco.com

In Europe contact:

HAMMOND SUZUKI EUROPE B. V.
IR. D. S. Tuynmanweg 4A
4131 PN Vianen
THE NETHERLANDS

E-mail: info@hammond.eu
Web site: www.hammond.eu

All other countries contact:

HAMMOND SUZUKI Ltd.
25-11, Ryoke 2 Chome,
Naka-ku, Hamamatsu
430-0852 (Shizuoka)
JAPAN

E-mail: suzukicorp@suzuki-music.co.jp
Web site: www.suzuki-music.co.jp

Technical materials are available and can be obtained by mailing a request to the appropriate address listed above marked ATTENTION: SERVICE DEPARTMENT.

Manufacturer:
SUZUKI MUSICAL INSTRUMENT MFG. CO., Ltd.
25-12, Ryoke 2 Chome, Naka-ku,
Hamamatsu 430-0852 (Shizuoka)
JAPAN